

Data Sheet

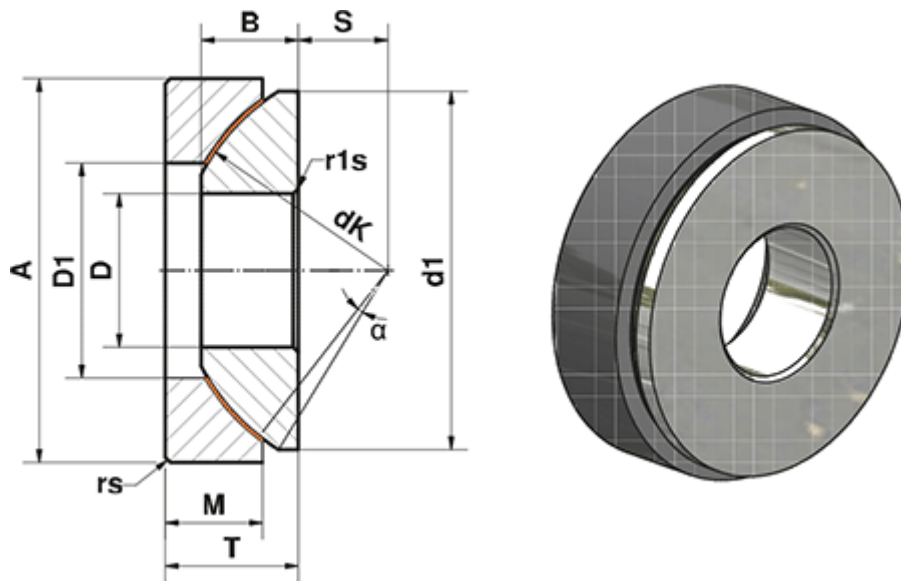


Article number: 03450045

Description: Fluro Heavy Duty Spherical Plain Bearing GE 45 AWE
Hole Ø45

Note: 45

Measures



A	= 120	M	= 25.5
a (degrees)	= 6	rs, r1s min	= 1
B	= 31	S	= 27.5
D	= 45	Static load C0 (kN)	= 2263
D1	= 68.5	T	= 36.5
d1 min	= 110	Weight (g)	= 2240
dK	= 128		
Dynamic load C (kN)	= 1357		